

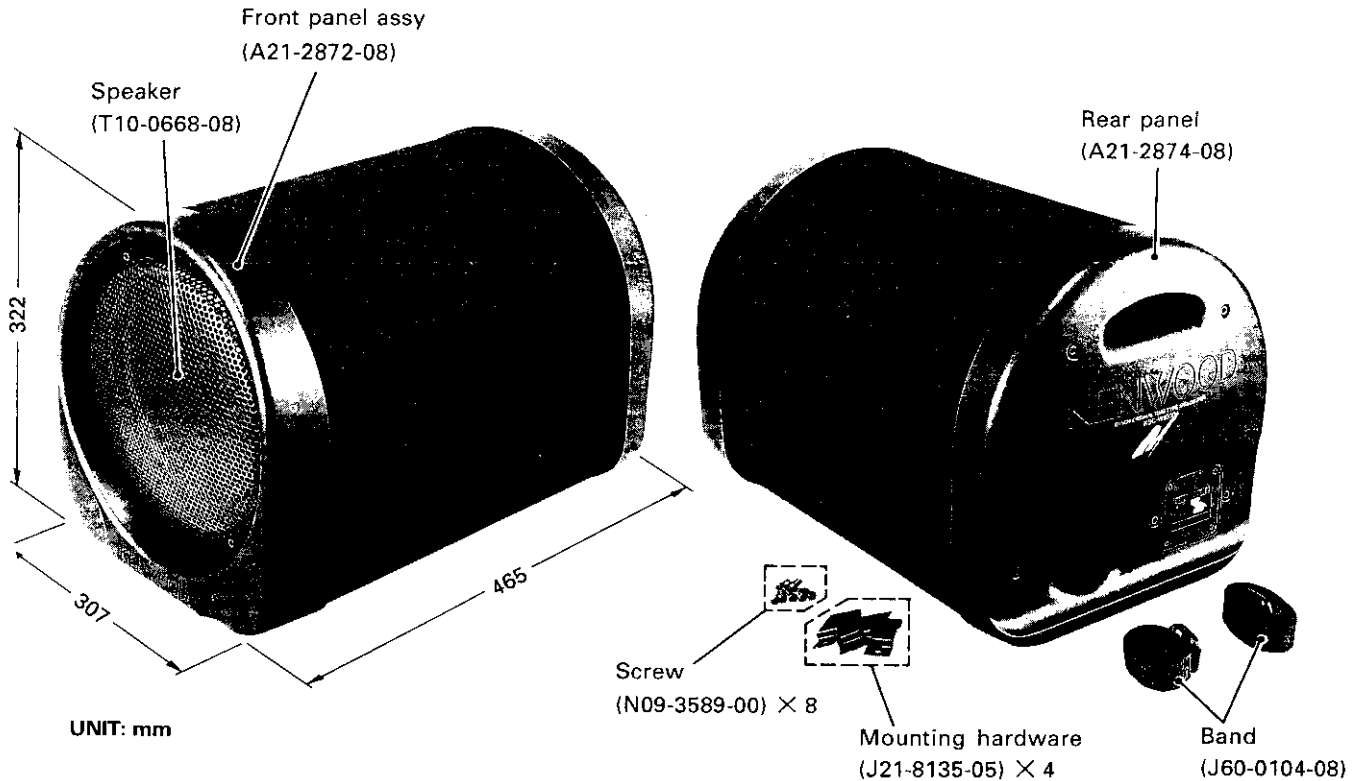
SUB WOOFER

KSC-W1000

SERVICE MANUAL PARTS COPY

KENWOOD

© 1994-12 PRINTED IN JAPAN
B51-6782-00 (4) 359



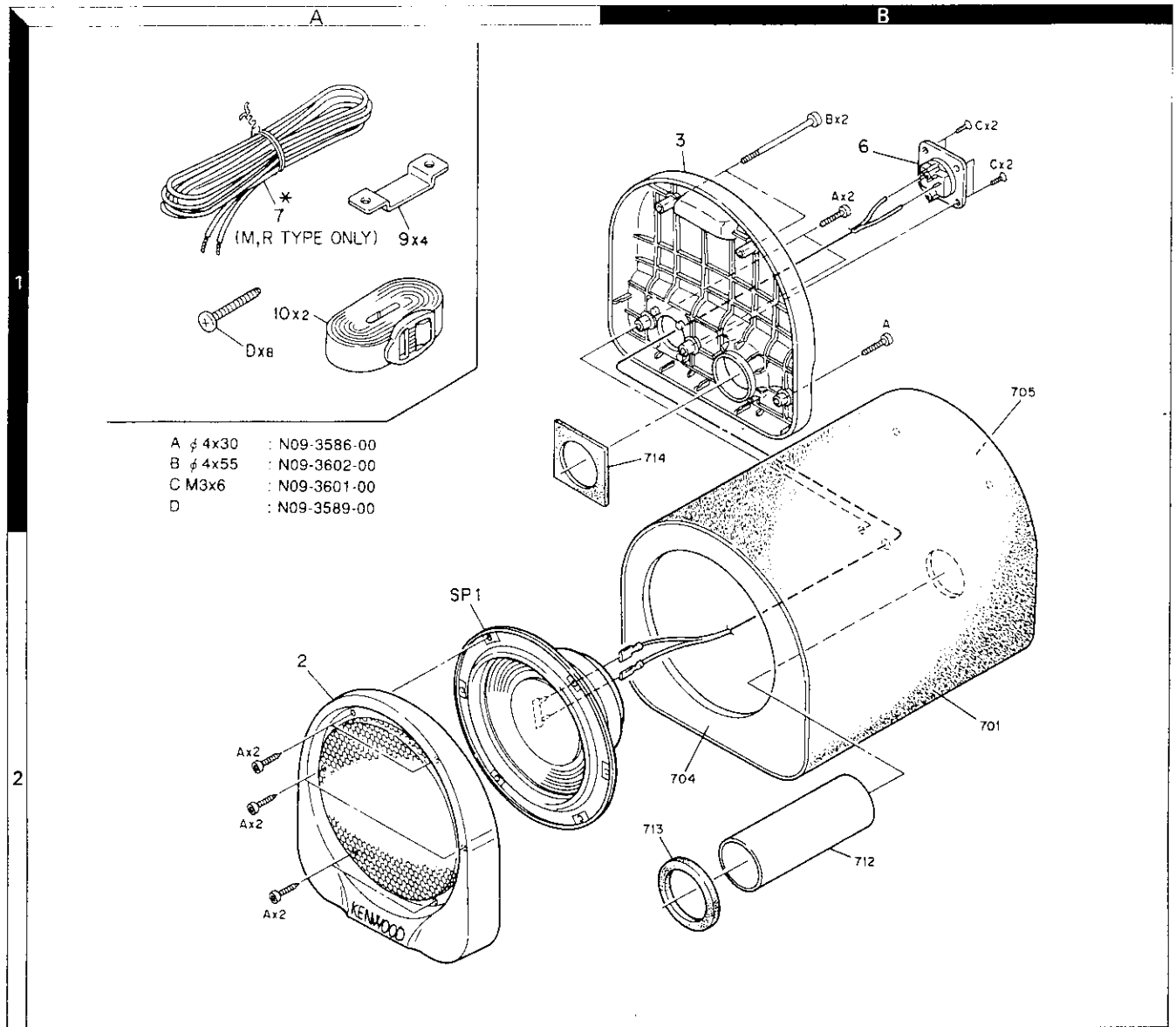
SPECIFICATIONS

System	Sub-Woofers System Bass-Reflex Type
Mounted Speaker	
Woofer	250mm Cone Type (10in)
Impedance	4Ω
Peak Input Power	300W
Maximum Input Power	200W
Rated Input Power	100W
Sensitivity	88dB/W at 1m (106dB/W in Car)
Frequency Response	30Hz~1500Hz

Dimensions	
Width	307mm (12-1/16in)
Height	322mm (12-11/16in)
Depth	465mm (18-5/16in)
Net Weight (PC)W/GR	7.8kg (17.2lb)
Gross Weight	9.6kg (21.2lb)
Special Features	
Speaker Cable	4m × 1pc (M,R only)
Belt	2pcs
Mounting hardware	1set
Weight of Magnet (Woofer)	705g (24.8oz)

KSC-W1000

EXTERNAL VIEW



Parts with the exploded numbers larger than 700 are not supplied.

* New Parts

Parts without Parts No. are not supplied.

Les articles non mentionnés dans le Parts No. ne sont pas fournis.

Teile ohne Parts No. werden nicht geliefert.

PARTS LIST

Ref. No.	New Parts	Parts No.	Description	Destination
参照番号	新	部品番号	部品名 / 規格	仕向
2 2A	*	A21-2872-08	FRONT PANEL ASSY	
3 1B	*	A21-2874-08	REAR PANEL	
-		B46-0100-30	WARRANTY CARD	
-	*	B61-0719-00	INSTRUCTION MANUAL	
6 1B	*	E29-0917-05	TERMINAL	
7 1A	*	E30-5157-05	SPEAKER CABLE	M,R
-		H10-6055-05	POLYSTYRENE FOAMED FIXTURE	
-	*	H21-1215-08	COVER	

Ref. No.	New Parts	Parts No.	Description	Destination
参照番号	新	部品番号	部品名 / 規格	仕向
-	*	H25-1082-08	POLY BAG	
-	*	H51-0551-08	ITEM CARTON CASE	
9 1A	*	J21-8135-05	MOUNTING HARDWARE	
10 1A	*	J60-0104-08	BAND	
A 2A	*	N09-3586-00	SCREW	
B 1B	*	N09-3602-00	SCREW	
C 1B	*	N09-3601-00	SCREW	
D 1A	*	N09-3589-00	SCREW	
SP1 2A	*	T10-0668-08	LOUDSPEAKER (WOOFER)	

E:Europe W:Without Europe P:Canada X:Australia R:Mexico
 K:U.S.A. and Canada M:Without Europe,U.S.A. and Canada

indicates safety critical components.